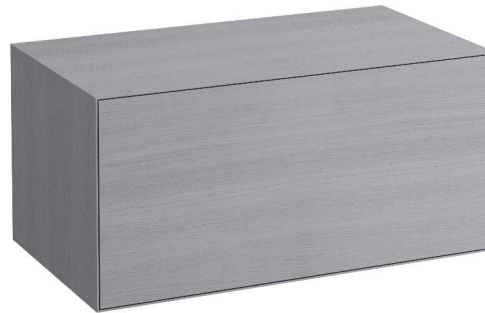


BOUTIQUE FURNITURE

Vanity unit without / with cut out

40901.0

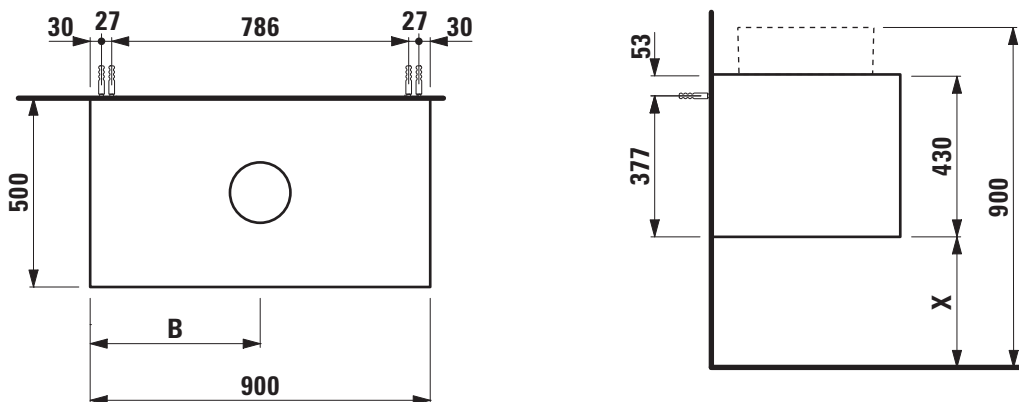
40901.3



TECHNICAL DATA

Order no.	40901.0 / without cut out 40901.3 / 1 cut out	Accessories excl.	Power socket (EU), IP44, order no. 49298.4 Power socket (CH), IP44, order no. 49298.5 Drawer separations (not recommended with shelf) small, order no. 40920.0 Space saving siphon, order no. 89424.0
Dimensions (WxHxD)	900 x 430 x 500 mm	Mounting acc. incl.	Installation set for furniture, order no. 49120.6
Matching for washbasin	see table below	Mounting information	The walls installed on must meet the requirements of the furniture in terms of weight and the supplied fastening elements. If this cannot be guaranteed another method of installation needs to be chosen. For example with feet.
Specification	Body/Front – lacquered surface veneer with solid wood edges Slim front with a 4 mm rim 1 push and pull full extension drawer without or with cut out	Colours	250 – Light oak 251 – Dark oak
Weight	30,5 kg		
Accessories excl.	Base, height 40 mm, order no. 40923.0 Shelf L shaped for drawer, with pre-drilled holes in the back (left and right) for optional power socket, depth 90 mm, order no. 40924.1 depth 150 mm, order no. 40924.2		

TECHNICAL DRAWINGS / S 1 : 20



B / mm	Ceramic
247	Kartell by Laufen 81233.2 (with tap bank left)
225	Palomba 81680.1
300	Kartell by Laufen 81033.8 (possibility for asymmetric position on request)
346	VAL 81228.2 (left)
360	Palomba 81680.2
375	Kartell by Laufen 81033.4
400	Palomba 81680.3 Val 81228.1

B / mm	Ceramic	
450	Kartell by Laufen 81233.1, 81533.1 Living SaphirKeramik 81143.3 (only with wall mounted tap or asymmetric tap position), 81143.4, 81143.5 Ino 81230.0, 81730.1 (only with wall mounted tap or asymmetric tap position), 81230.2, 81630.0, 81630.2, 81730.2 Val 81728.1, 81628.0, 81628.2, 81628.3, 81628.4, 81628.5	
	525	Kartell by Laufen 81033.5
	553	VAL 81228.2 (right)
	600	Kartell by Laufen 81033.9 (possibility for asymmetric position on request)
655	Kartell by Laufen 81233.2 (with tap bank right)	

X = The exact height must be set during installation.