

EAN: 6414150058295

www.oras.com/en/products/oras/product/2818F

Bidet faucet with fixed spout, ball-joint aerator and rapid pop-up waste.

F = with flexible pipes



- Bathroom
- Single lever, top operated
- Deck mounted
- Chrome
- Fixed spout
- Adjustable flow angle, HONEYCOMB® - improved lime protection
- Single operating lever/handle, Hot/Cold symbols
- Push pop-up waste without draw-rod
- Limitation option for maximum temperature and flow-rate, Adjustable hot water stop (retrofitable)
- 40 mm ceramic cartridge for flow and temperature control

Technical data

Flow properties

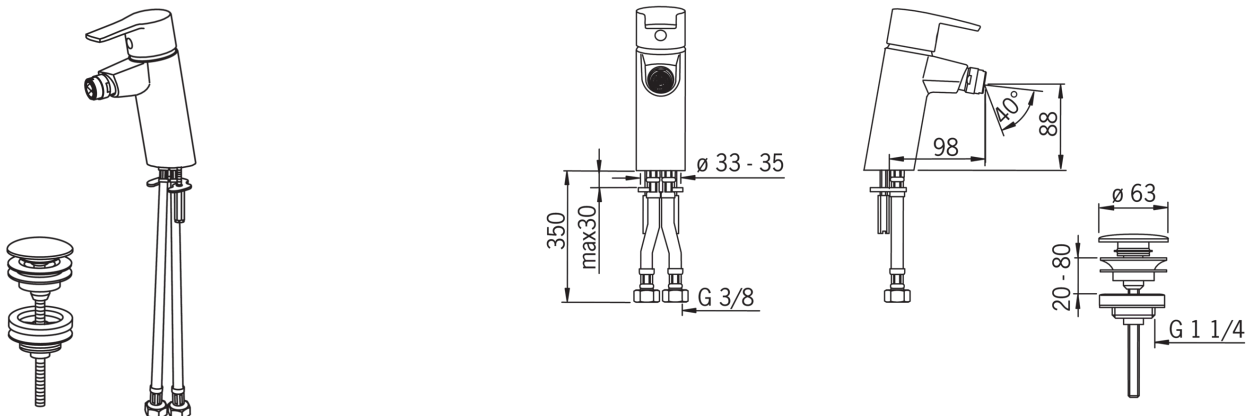
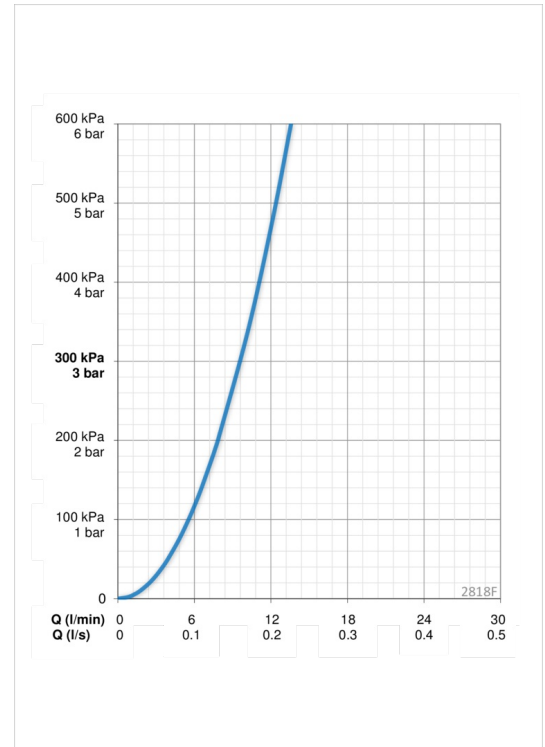
Flow-rate at 300 kPa	0.16 l/s
Pressure loss with flow (0.1 l/s)	115 kPa

Technical properties

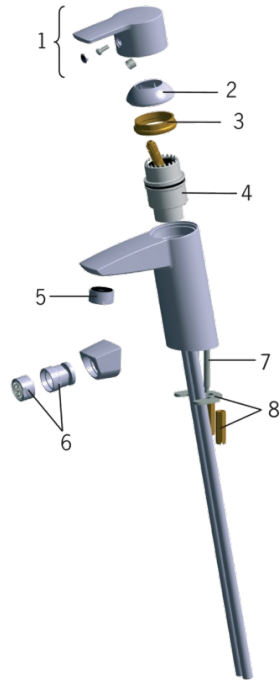
Hot water supply	max. +80°C
Working pressure	50 - 1000 kPa
Connection size	G3/8
Projection	115 mm
Material	Brass

Regulations

EN standard	EN 817
Noise class	I (ISO 3822)



Spare parts



SP2810

	Name	Code
01	Lever	159050V
02	Covering cap	159053V
03	Tightening nut	158726
04	Cartridge	158890
05	Aerator, M24 x 1 STD HC A	232211
06	Aerator with ball joint, M24x1/M24x1	232511
07	Fixing screw (10 pcs), M6x55	158727/10
08	Fixing plates with nuts	158697