

AXOR Starck

Porter unit 120/120 with baton hand shower 2jet and shower hose

Surfaces: **Chrome** Article Number: **12626000**



Description

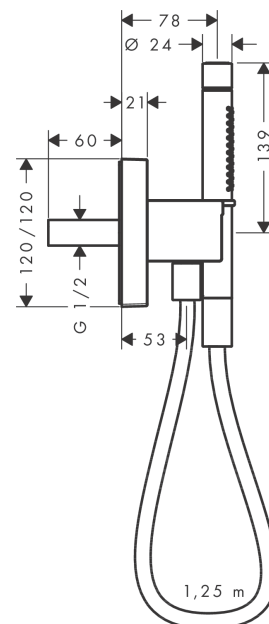
product features

- consists of: porter unit, baton hand shower, shower holder, shower hose
- integrated support function
- non-return valve
- in a joined installation (10 mm distance) we recommend for perfect handling only the horizontal installation
- in a joined installation (10 mm distance), the basic set no.28486180 must be used
- in a freely-arranged installation (distance greater than 10 mm), no basic set is required
- ACS 18 ACC LY 792, valide jusqu'au 04.12.2023
- KIWA UK 1508723
- WRAS 1612311
- WRAS 1612311
- WRAS 1612311

Product image



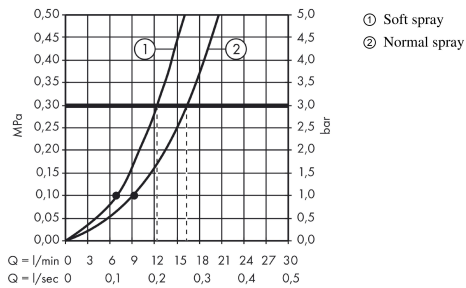
Scale drawing



AXOR Starck
Porter unit 120/120 with baton hand shower 2jet and shower hose
 Surfaces: **Chrome** Article Number: **12626000**



Flowchart



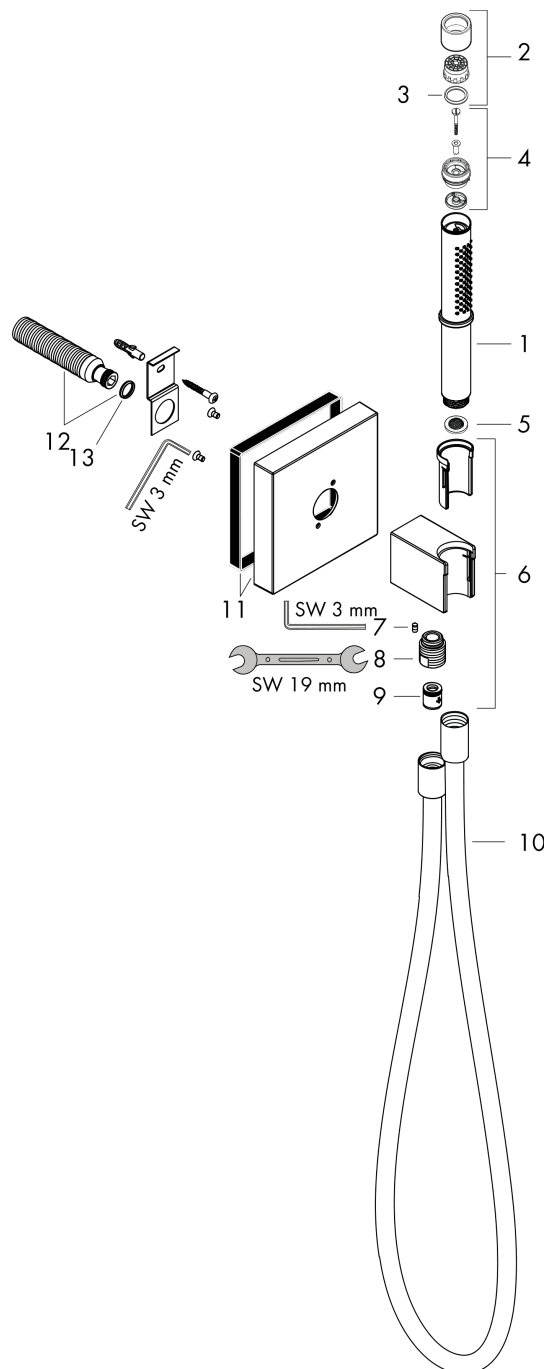
The consumption was measured in combination with the appropriate fittings (thermostat/mixer/in-wall valve) to reflect actual application in practice.

AXOR Starck
Porter unit 120/120 with baton hand shower 2jet and shower hose
 Surfaces: **Chrome** Article Number: **12626000**



Exploded Drawing

Year of production: >11/12



AXOR Starck
Porter unit 120/120 with baton hand shower 2jet and shower hose
 Surfaces: **Chrome** Article Number: **12626000**



Spare part list

Year of production: >11/12

| Pos. | Description | Article Number | PC | PU |
|------|--------------------------------|----------------|----|----|
| 1 | handshower | 95390000 | 0 | 1 |
| 2 | spray former | 95411000 | 0 | 1 |
| 3 | O-Ring 14x2,5 | 98189000 | 0 | 1 |
| 4 | selector assy | 95511000 | 0 | 1 |
| 5 | filter packing | 94246000 | 0 | 1 |
| 6 | shower holder, assy | 98358000 | 0 | 1 |
| 7 | hollow set screw M4x16 | 97663000 | 0 | 1 |
| 8 | O-ring 14x2 | 98129000 | 0 | 1 |
| 9 | set of non return valves DW 15 | 94074000 | 0 | 1 |
| 10 | shower hose 1,25 m | 28282000 | 0 | 1 |
| 11 | escutcheon | 98359000 | 0 | 1 |
| 12 | connecting thread G½ | 98933000 | 0 | 1 |
| 13 | O-ring 11x2 | 98127000 | 0 | 1 |
| a | concealed item | 28486180 | 0 | 1 |
| b | flow-restrictor-set | 92019000 | 0 | 1 |